



Ulteon™ Ultra CL – 8 Megapixels Ultra High Speed Camera Link® Camera

Features

- Progressive scan Interline Transfer CCD imager
- High Speed: 16 fps at 3296 x 2472
- 8/10/12-bits linear output
- Available in color or monochrome
- User definable LUT
- Excellent anti-blooming and anti-smear
- Camera Link® interface
- Flat Field Correction
- Defective pixel compensation
- Field programmable without disassembling
- Multi-layer coated glass is mounted at the back of C-mount or F-mount to protect CCD from contamination
- Gasket is also mounted at the CCD mounting area for dust protection
- Air-cooling system
- Specialized power-saving design minimizes heat generation
- Optional case attached heat sink (60x75x50mm)

Applications

- High Speed Video Capture
- Machine Vision and Metrology
- Medical and Scientific Imaging
- Microscopy
- Remote Sensing
- ITS (Intelligent Transport Systems)

High Resolution, Ultra High Speed. Anti-Blooming, Anti-Smear, Programmable CCD Color or Monochrome Machine Vision Camera Link® Camera, C Mount or F Mount, with Defective Pixel Compensation. For Machine Vision, Microscopy, Military, Remote Sensing, and Medical/Science Applications.



Overview

Available in color or black and white, the Ulteon™ Ultra is an ultra high speed compact progressive scan CCD with a Camera Link® interface. The camera offers full frame resolution of 3296 (H) x 2472 (V) and a maximum full frame rate of 16 fps. The Ulteon features a cooling system, low power design, and dust protection for the CCD.

The Ulteon™ Ultra cameras feature the newest pixel technology (True-Sense 5-1/2u) from Eastman Kodak Company. These cameras are highly stable, precision digital cameras with an industry standard Camera Link® interface. They offer superior performance, fast frame rates & great MTF performance. The cameras are available in 1, 2, 4, and 8 megapixels resolution. The Ulteon™ Ultra cameras are programmable and have a feature rich serial command set that is simple to use.

Visions Connection
11409 West Bernardo Court • San Diego, CA 92127
Phone: 714-296-5768 • Fax: (858) 613-1815
www.visionsconnection.com
Contact: Al SabeH
E-mail: al@visionsconnection.com

Specifications

General Specifications

Image Sensor	CCD
Active Pixels	3296 (H) × 2472 (V)
Pixel Clock	40/80 MHz
Pixel Size	5.5 μm x 5.5 μm (square grid)
Scan Method	Progressive
Video Output	8/10/12 bits, 1 or 2 Channel Output
Camera Interface	Camera Link®
Electronic Shutter	Global Shutter
Max. Frame Rates	16 fps (Full Frames)
Exposure Time	1/100000 sec ~7 sec (10 us step)
Partial Scan	60 fps at 300 Lines (maximum speed)
Gamma Correction	User defined LUT (Look up Table)
Black Offset	Adjustable (0~127 LSB at 12 bit, 256 step)
Video Gain	Analog: 0 ~ 32 dB, 900 step
Trigger Mode	Mode (free run, standard, fast, double) Programmable exposure time, Programmable trigger polarity
External Trigger	External, 3.3V - 5.0V, 10mA, optically isolated
Software Trigger	CC1, programmable exposure
S/N Ratio	64 dB

Physical and Power

Power	10~14V DC, MAX. 6W
Mount	C-mount, F-mount
Dimensions	With C-Mount adapter: 68 x 68 x 54 mm (2.7 x 2.7 x 2.1 inches) With F-mount adaptor: 68 x 68 x 83 mm (2.7 x 2.7 x 3.3 inches)
Weight	With C-Mount adapter: 420g (14.8 oz.) With F-Mount adapter: 460g (16.2 oz.)
Operating Temp.	-5°C to 40°C
Storage Temp.	-30°C to 65°C
Conformities	CE Mark, FCC, RoHS

Ordering Information

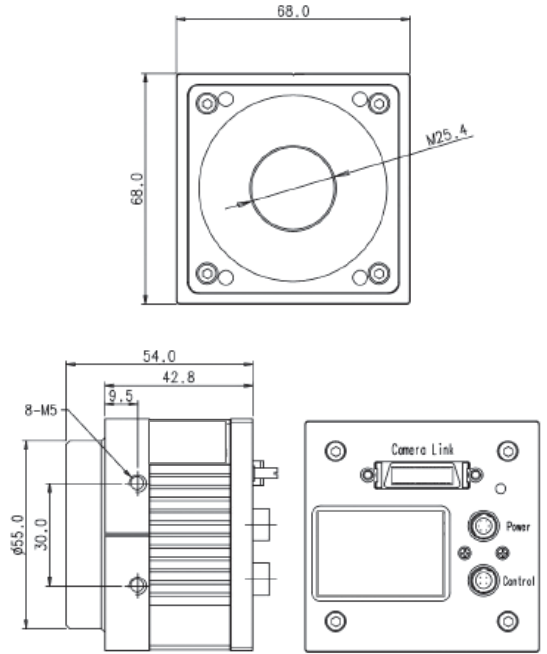
HRCL8MBF: Ulteon Ultra CL Camera Link®
Monochrome Camera, 8 megapixels

HRCL8MCF: Ulteon Ultra CL Camera Link® Color
Camera, 8 megapixels

Choice of C Mount or F Mount
Optional case attached heat sink

Camera Drawings

C-Mount Camera



F-Mount Camera



Visions Connection
11409 West Bernardo Court • San Diego, CA 92127
Phone: 714-296-5768 • Fax: (858) 613-1815
www.visionsconnection.com
Contact: Al Sabeih
E-mail: al@visionsconnection.com

© 2010 Visions Connection. Ulteon is a trademark of Visions Connection. All other trademarks and registered trademarks are the properties of their respective owners. All rights reserved. Specifications are subject to change without notice.

