

Ulteon™ CL – 16 Megapixels High Resolution Camera Link® Camera

Features

- Progressive scan IT CCD sensor
- Higher image quality
- 8/10/12-bit linear output
- Available in color or monochrome
- User definable LUT
- Defective pixel compensation
- Field programmable without disassembling
- Multi-layer coated glass is mounted at the back of F-mount to protect CCD from contamination
- Gasket is also mounted at the CCD mounting area for dust protection
- Air-cooling system
- Specialized power-saving design minimizes heat generation
- Optional case attached heat sink (60x75x50mm)

Applications

- High Speed Video Capture
- Machine Vision and Metrology
- Medical and Scientific Imaging
- Microscopy
- Remote Sensing
- Military

High Resolution. Programmable, F Mount, CCD Color or Monochrome Machine Vision Camera Link® Camera with Defective Pixel Compensation. For Machine Vision, Microscopy, Military, Remote Sensing, and Medical/Science Applications.



Overview

Available in color or black and white, the Ulteon™ is a compact progressive scan CCD with a Camera Link® interface. The camera offers full frame resolution of 4872 (H) x 3248 (V). The Ulteon features a cooling system, low power design, and dust protection for the CCD.

Vision Scientist always say: “You can never have too many pixels”. Indeed, a multitude of pixels:

- (1) Helps you see more details
- (2) Diminishes the need for better optics
- (3) Gives you better FOV (field of view)

Visions Connection
11409 West Bernardo Court • San Diego, CA 92127
Phone: 714-296-5768 • Fax: (858) 613-1815
www.visionsconnection.com
Contact: Al SabeH
E-mail: al@visionsconnection.com

Specifications

General Specifications

Image Sensor	CCD
Active Pixels	4872 (H) × 3248 (V)
Pixel Clock	40 MHz
Pixel Size	7.4 μm x 7.4 μm (square grid)
Scan Method	Progressive
Video Output	8/10/12 bits, 1 or 2 Tap
Camera Interface	Camera Link®
Max. Frame Rates	4 fps (dual)/2 fps (single)
Exposure Time	1/4500 sec ~7 sec (10 us step)
Partial Scan	13 fps at 406 Lines (maximum speed)
Gamma Correction	User defined LUT (Look up Table)
Black Offset	Adjustable (0~255 LSB at 12 bit)
Video Gain	Analog: 0 ~ 32 dB, 900 step
Trigger Mode	Mode (free run, standard, fast, double) Programmable exposure time, Programmable trigger polarity
External Trigger	External, 3.3V - 5.0V, 10mA, optically isolated
Software Trigger	CC1, programmable exposure
S/N Ratio	64 dB

Physical and Power

Power	10~14V DC, MAX. 6W
Mount	F-mount
Dimensions	68 x 68 x 54 mm (2.7 x 2.7 x 2.1 inches)
Weight	460g (16.2 oz.)
Operating Temp.	-5°C to 40°C
Storage Temp.	-30°C to 65°C
Conformities	CE Mark, FCC, RoHS

Ordering Information

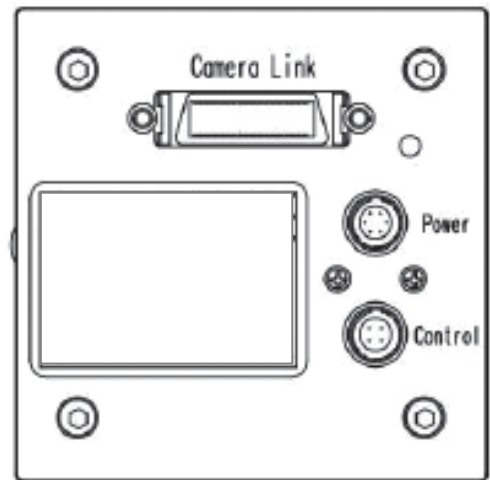
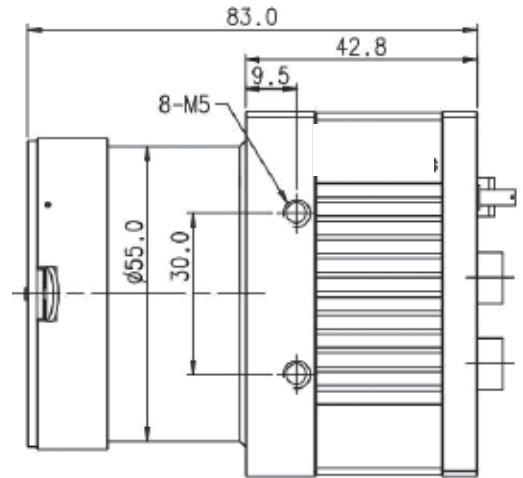
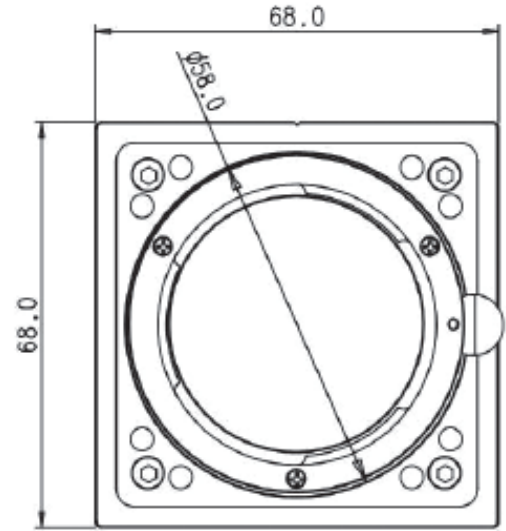
HRCL16MB: Ulteon Camera Link® Monochrome Camera, 16 megapixels

HRCL16MC: Ulteon Camera Link® Color Camera, 16 megapixels

Optional C Mount

Optional case attached heat sink

Camera Drawings



Visions Connection
11409 West Bernardo Court • San Diego, CA 92127
Phone: 714-296-5768 • Fax: (858) 613-1815
www.visionsconnection.com
Contact: Al SabeH
E-mail: al@visionsconnection.com

© 2010 Visions Connection. Ulteon is a trademark of Visions Connection. All other trademarks and registered trademarks are the properties of their respective owners. All rights reserved. Specifications are subject to change without notice.

