

# USB2.0 High Resolution Digital Camera

USB -1.3MB

1280x1024 @ 27 FPS Black &white



## Main Features

- Auto / manual white balance. Can select operation area and set Target color.
- Auto / manual exposure. Can select operation area and set target Brightness.
- g table/ value correction.
- Sub sampling preview.
- Can select any capture area and location. Smaller capture area results Higher frame rate. 640 x 480 captures can achieve more than 100 Frame rate.
- Automatic, continuous white balance, continuous exposure to lighting Condition change.
- Full screen and scaling capabilities.
- Support Windows XP/Vista/7 32 bit
- SDK available in C/C++.
- Viewing and capture software
- One year warranty
- Optional DMP measuring software

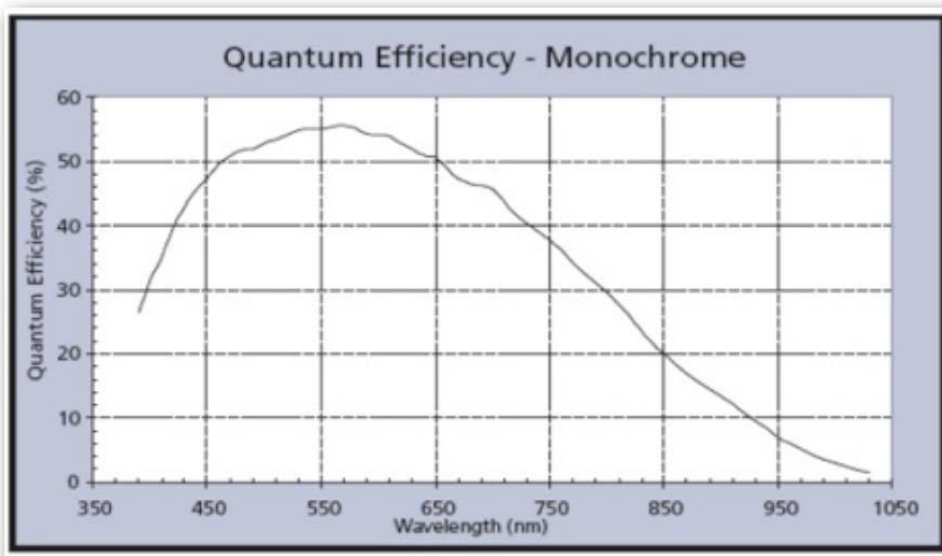
## Frame Rate

### USB-1.3MB

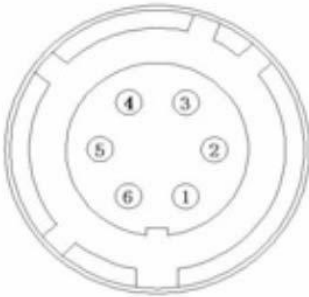
Resolution	320x240	512x384	640x480	768x576	800x600	1024x768	1280x1024
fps	256.00	140.00	100.00	79.00	72.00	45.00	27.00

## Specification:

Color / BW	BW
Resolution	1280 x 1024
Pixel Size	5.2 $\mu\text{m}$ x 5.2 $\mu\text{m}$
Dynamatic Range	68.2 dB
Signal / noise ratio	45 dB
Sensitivity	2.1V / lux. sec
Sensor Size	1/2
Scan	Progressive
Shutter	Rolling
External Control	One trigger input and one glash trigger out-put
Dimension	1.77 x 1.77 x 3.27 inch
Lens Mount	C mount
Power Supply	USB port direct supply

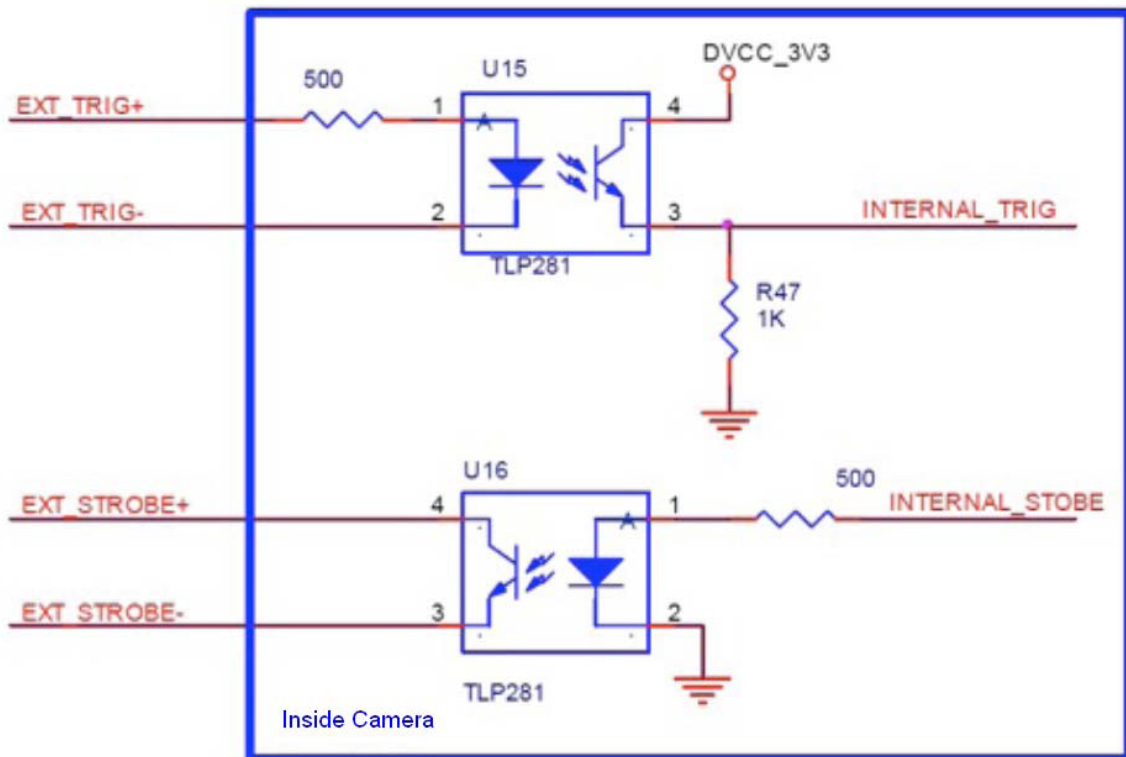


## Camera connector:

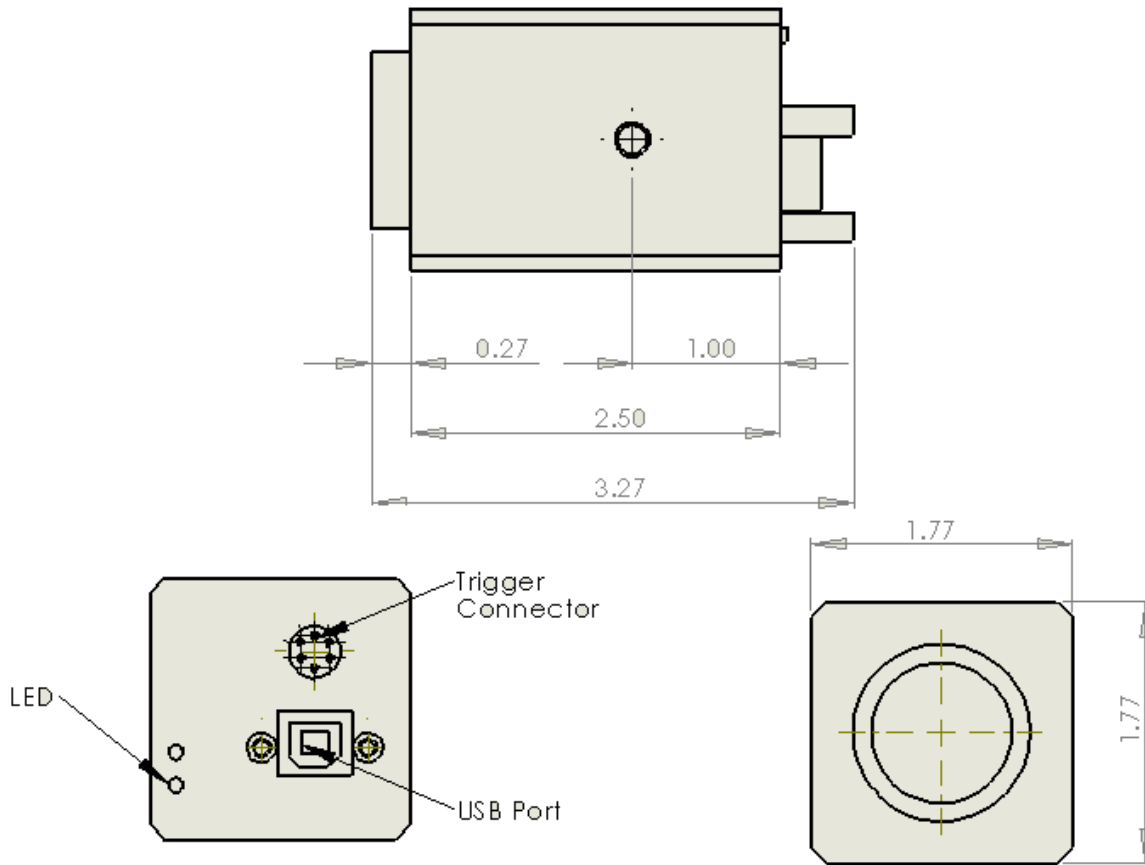


Pin	Signal
1	GND
2	External +5V
3	Flash Output + (EXT_TRIG +)
4	Flash Output - (EXT_TRIG -)
5	Trigger Input - (EXT_STROBE -)
6	Trigger Input + (EXT_STROBE +)

## Control Circuit:



# Dimension



**Contact: Al Sabeh**

Phone: 714-296-5768, Fax: 858-613-1815

E-mail: [al@visionsconnection.com](mailto:al@visionsconnection.com)



Visions Connection

11409 West Bernardo Court, San Diego, Ca. 92127