

USB2.0 High Resolution Digital Camera

USB –.3MC Color

USB-.3MB B/W

752X480 pixel color and B/W USB



Main Features

- Auto / manual white balance. Can select operation area and set target color.
- Auto / manual exposure. Can select operation area and set target brightness.
- g table/ value correction.
- Support binning preview.
- Can select any capture area and location.
- automatic, continuous white balance, continuous exposure to lighting condition change.
- Full screen and scaling capabilities.
- Support Windows XP/Vista/7 32 bit
- SDK available in C/C++.
- Viewing and capture software
- One year warranty
- Optional DMP measuring software

Frame Rate

USB-.3MC

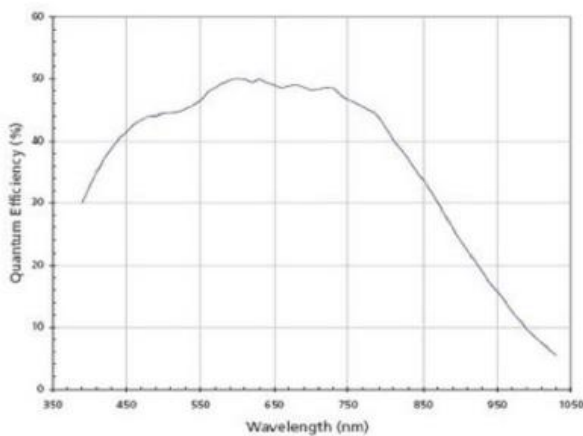
Resolution	320x240	640x480	752x480
fps	110.00	60.00	60.00

USB-.3MB

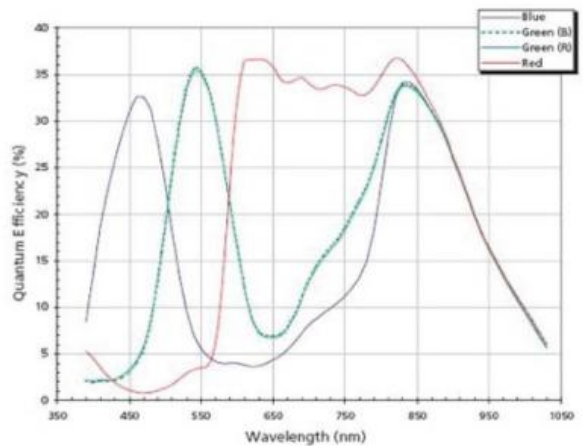
Resolution	320x240	640x480	752x480
fps	110.00	60.00	60.00

Specification:

Item		
Color / BW	BW	Color
Resolution	752 x 480	
Pixel Size	6.0 um x 6.0 um	
Dynamatic Range	Linear > 60 dB, high dynamatic > 80dB	
Sensitivity	4.8V / lux. sec	
Sensor Size	1/3	
Scan	Progressive	
Shutter	Global	
External Control	One trigger input and one glash trigger output	
Dimension	1.77 x 1.77 x 3.27 inch	
Lens Mount	C mount	
Power Supply	USB port direct supply	

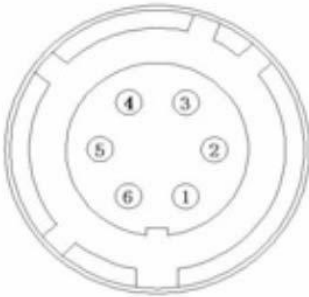


USB-.3MB



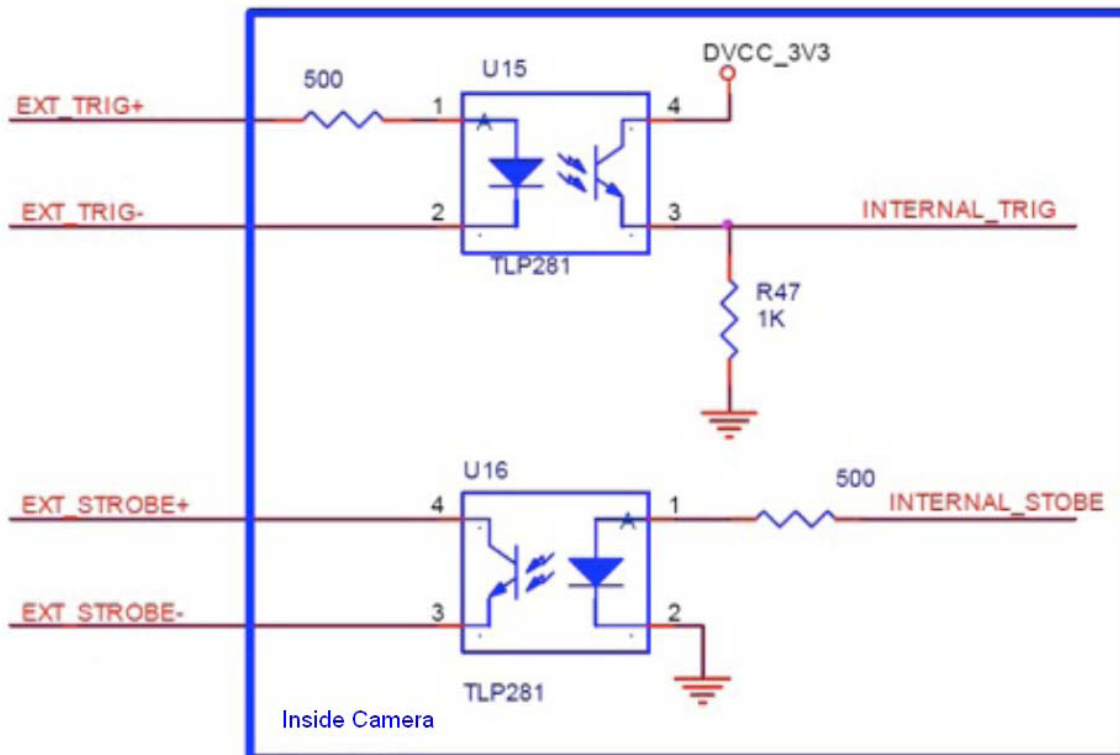
USB-.3MC

Camera connector:



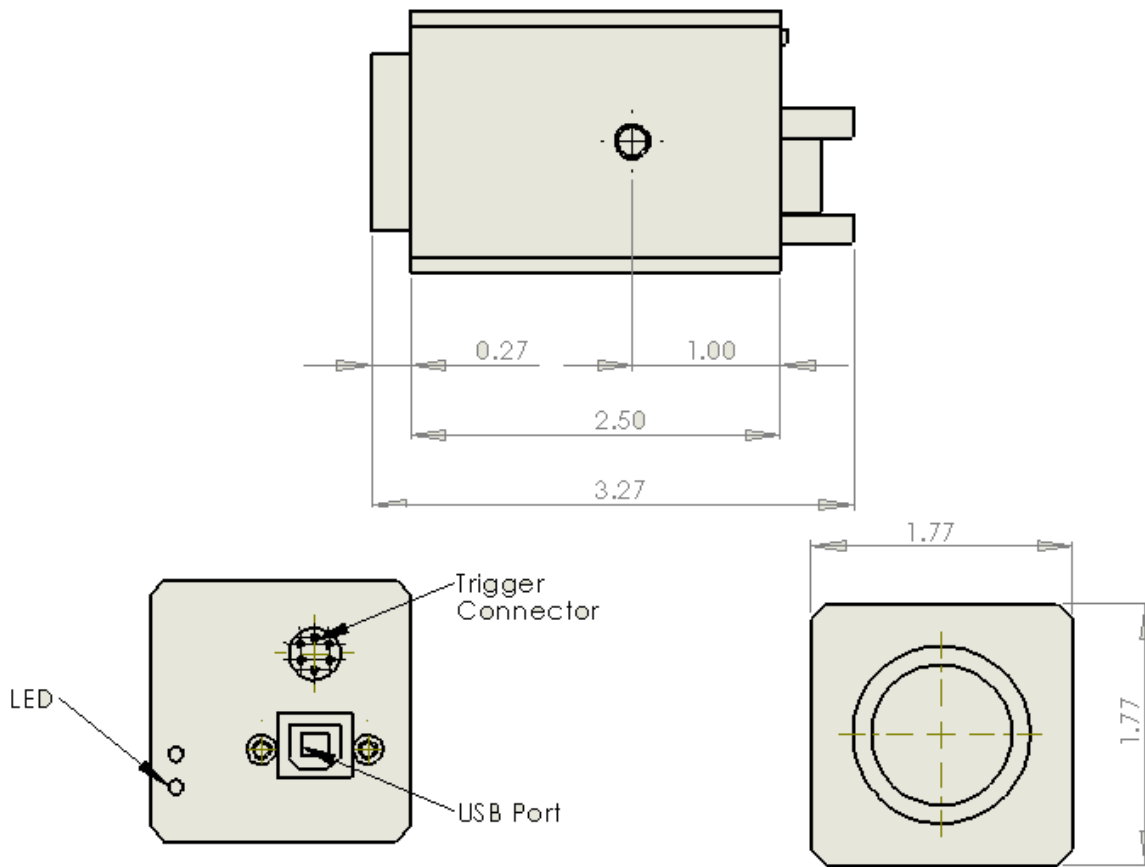
Pin	Signal
1	GND
2	External +5V
3	Flash Output + (EXT_TRIG +)
4	Flash Output - (EXT_TRIG -)
5	Trigger Input - (EXT_STROBE -)
6	Trigger Input + (EXT_STROBE +)

Control Circuit:



Dimension

CoC



Contact: Al Sabeh

Phone: 714-296-5768, Fax: 858-613-1815

E-mail: al@visionsconnection.com



Visions Connection

11409 West Bernardo Court, San Diego, Ca. 92127